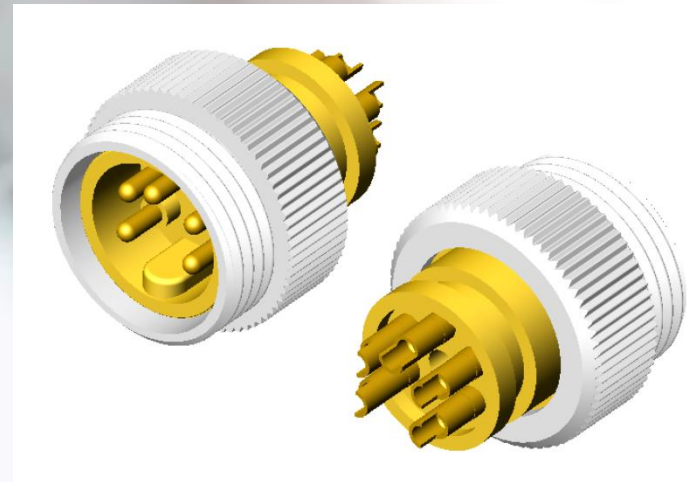
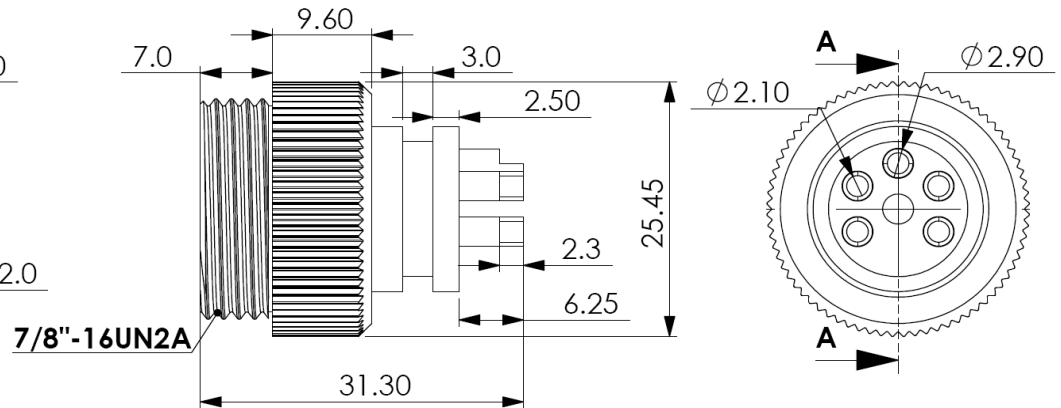
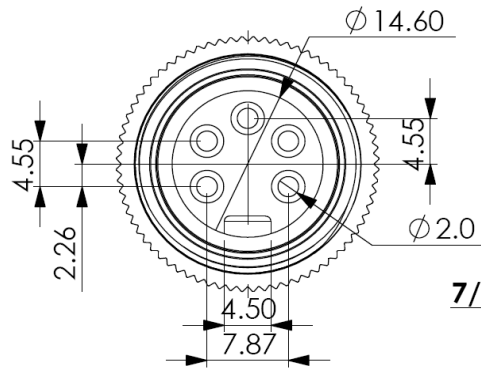
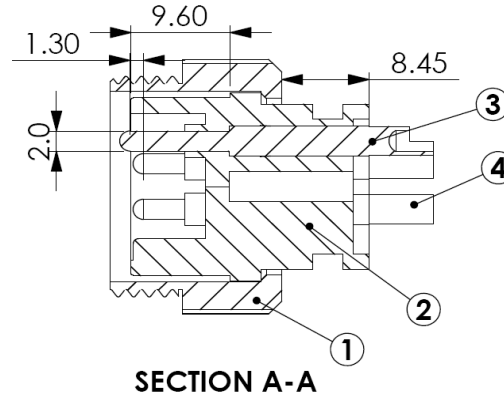
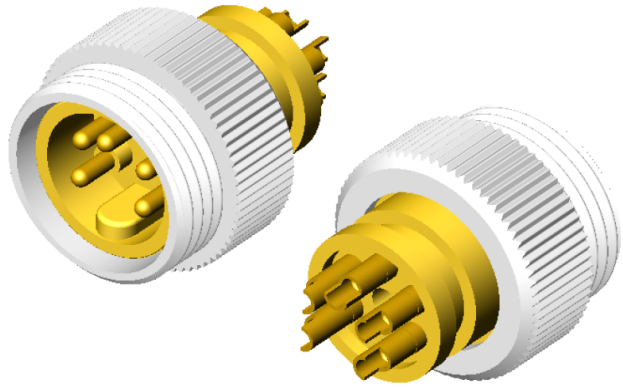


# WATERPROOF CONNECTORS

- **IP67 M22 CABLE PLUGS**
- **5.6 PINS**
- **MOLDING TYPE**
- **WP2205PMR**
- **WP2206PMR**



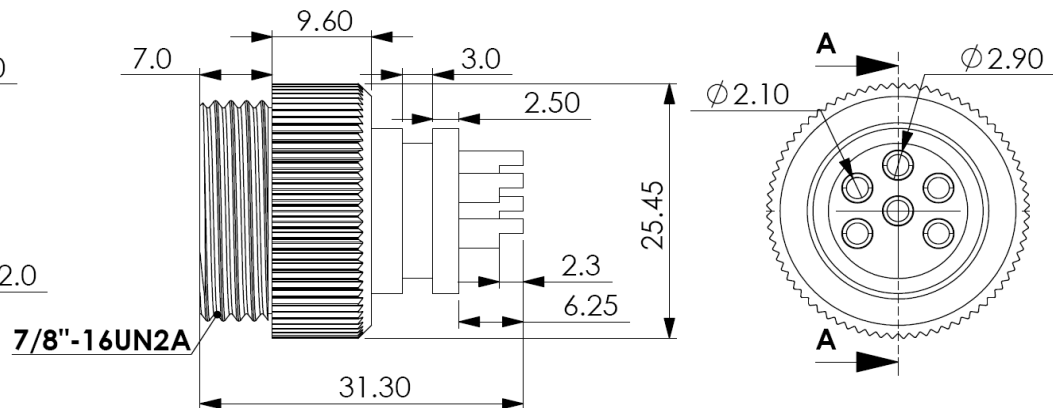
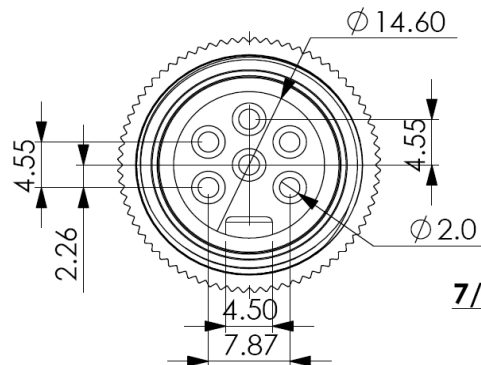
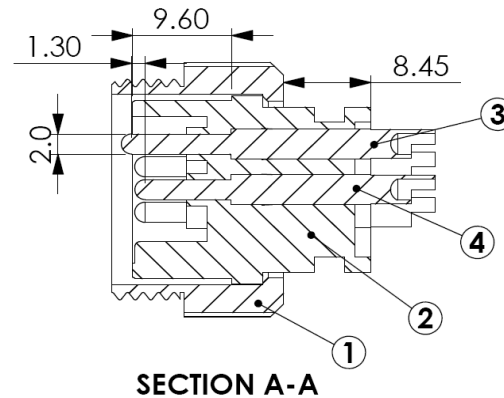
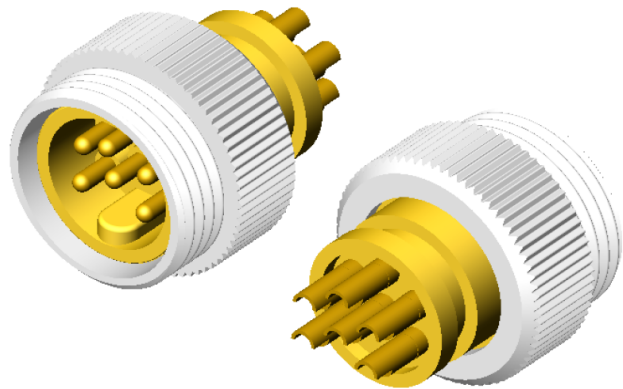


No.	Description	Material	Treat	Q'ty
1	Screw Cap	Brass	Nickel Ptd.	1
2	Housing	PBT+30%GF	Yellow	1
3	Terminals 1	Brass	Gold Flash	1
4	Terminals 2	Brass	Gold Flash	4

specification :

**Current : 12A**  
**Operating Temperature : -50°C to 105°C**  
**Insulation resistance : 1000MΩ min.**  
**Dtelectric strength :500V AC min.**


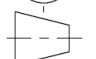
<b>俞昌有限公司</b> <b>YEU TSANG CO. LTD.</b>	品名: ITEM :	5P M22 WATER TIGHT CABLE PLUG MOLDING TYPE			一般公差	SHEET:	單位: unit:	mm	日期: date:	'07/01/23	繪圖: drwn by:	DanielShyr
	料號: PART NO.	WP2205PMR	圖號: DRW NO.									



No.	Description	Material	Treat	Q'ty
1	Screw Cap	Brass	Nickel Ptd.	1
2	Housing	PBT+30%GF	Yellow	1
3	Terminals 1	Brass	Gold Flash	1
4	Terminals 2	Brass	Gold Flash	5

specification :

**Current : 12A**  
**Operating Temperature : -50°C to 105°C**  
**Insulation resistance : 1000MΩ min.**  
**Dteletic strength :500V AC min.**

<b>俞昌有限公司</b> <b>YEU TSANG CO. LTD.</b>	品名: ITEM :	6P M22 WATER TIGHT CABLE PLUG MOLDING TYPE		 一般公差 .X +/-0.25 .XX +/-0.10	SHEET:	單位: unit: mm 日期: date: '07/01/23 繪圖: drwn by: DanielShyr
	料號: PART NO.	WP2206PMR	圖號: DRW NO.		 1 1	